

Semi-circular aluminum alloy carabiner with a 16 kN breaking load in all directions. It has an exceptional strength of 25 kN when loaded on three points so it is perfect for the connection of fall-arrest devices to the "A/2" double sternal attachment points of some full body harnesses. Keylock closure prevents snagging during use.

**Triad Lock
3141**

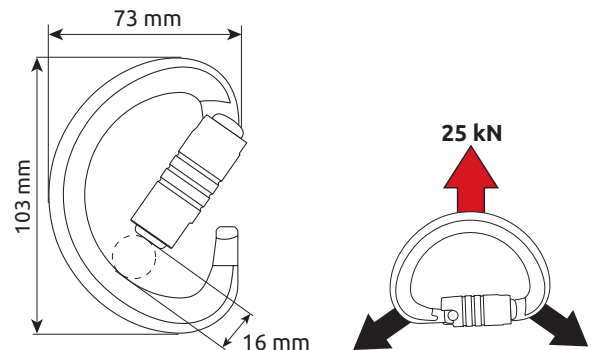
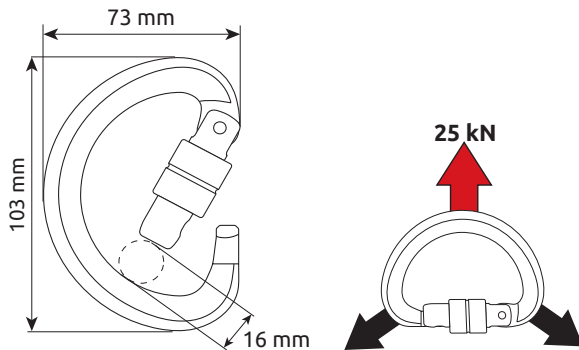


Screw gate locking system.T

**Triad 3Lock
3142**



Automatic lock requires three actions to open: slide, twist and pull.



Ref.	Product name	Weight								CE	
		g	oz	kN	kN	kN	mm	mm	mm	EN 12275	EN 362
3141	TRIAD LOCK	84	3.1	20	16	8	16	103	73	B	M
3142	TRIAD 3LOCK	88	3.0	20	16	8	16	103	73	B	M