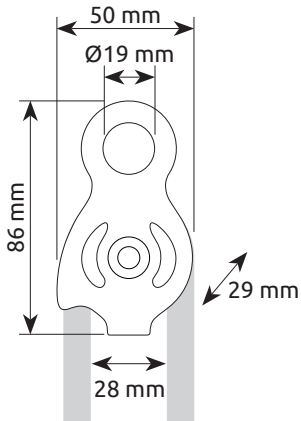
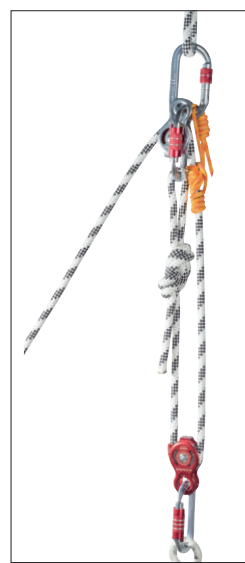
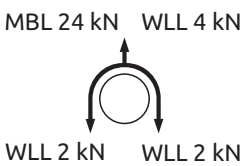


An ultra slim, highly functional fixed pulley. The main attachment point allows for full rotation of the carabiner. For use with ropes up to 13 mm. Prusik minding, the self-locking knot can be installed on one side. Self-lubricated bushings are sufficient for light applications at low speed. Efficiency: 80%. Aluminum alloy body and wheel, stainless steel axle.



**SPHINX BLACK**  
215203



Ref.	Product name	Weight		Inner sheave diameter mm	Rope diameter Max - mm	Working load max kN	Breaking load kN	CE EN 12278	EAC
		g	oz						
2152	SPHINX	95	3.4	28	13	2 kN x 2 = 4 kN	24	•	•
215203	SPHINX BLACK								